



Product Catalogue

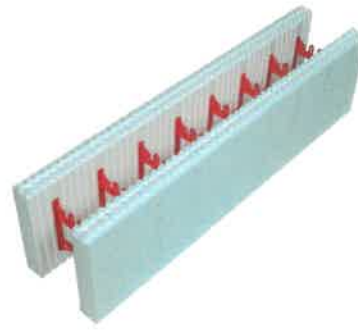


Building a better future.

superformicf.com

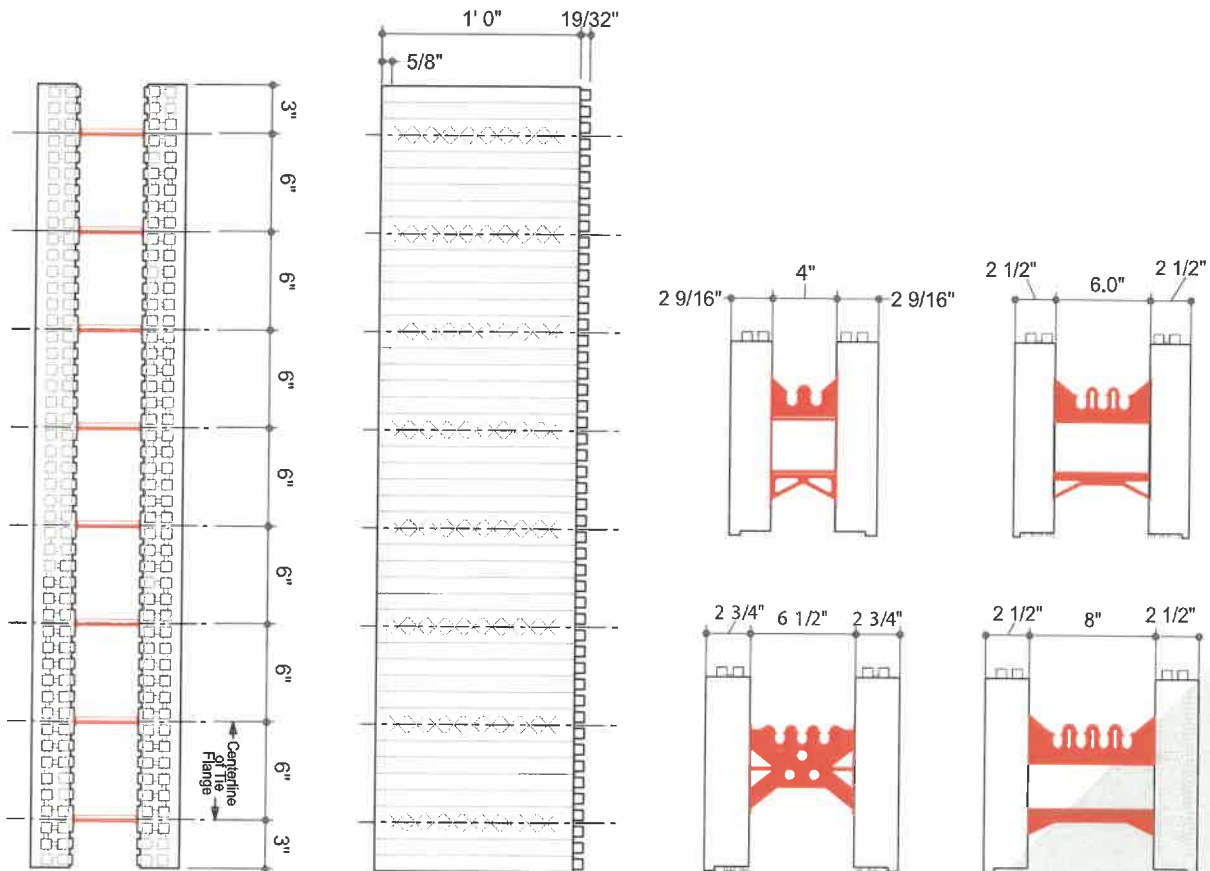
Standard

Allows you to build straight walls with added durability and strength.



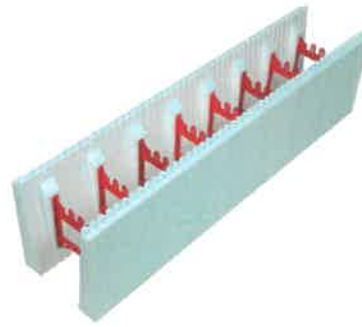
PRODUCT DIMENSIONS

CORE	WIDTH	LENGTH	RETURN	AREA	CONCRETE VOL./SQ. FT. OF WALL
4"	9"	4'	N/A	4	0.009 cubic meters
6"	11"	4'	N/A	4	0.014 cubic meters
6.5"	12"	4'	N/A	4	0.015 cubic meters
8"	13"	4'	N/A	4	0.019 cubic meters



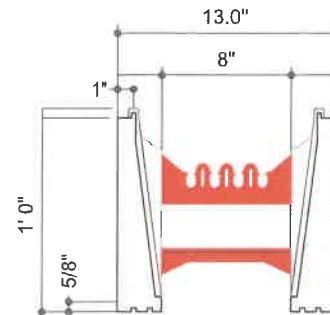
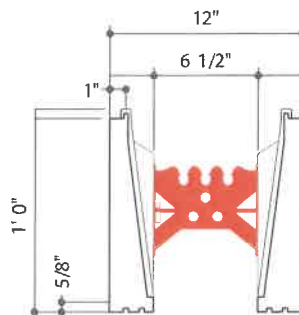
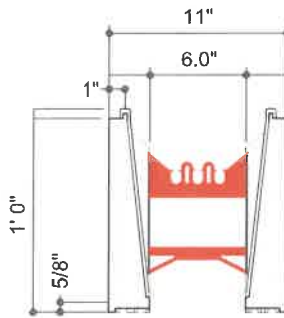
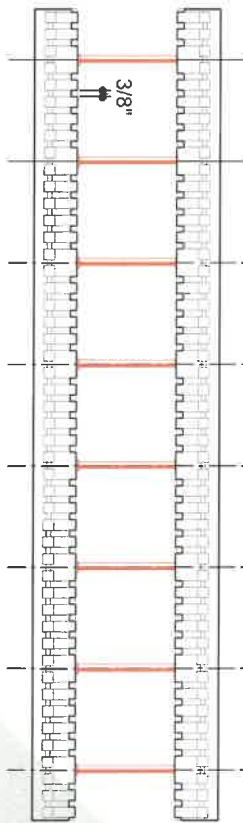
Top Block

Provides maximum bearing surface at the top of your wall.



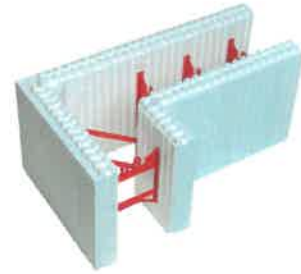
PRODUCT DIMENSIONS

CORE	WIDTH	LENGTH	RETURN	AREA	CONCRETE VOL./SQ. FT. OF WALL
6"	11"	4'	N/A	4	0.014 cubic meters
6.5"	12"	4'	N/A	4	0.015 cubic meters
8"	13"	4'	N/A	4	0.019 cubic meters



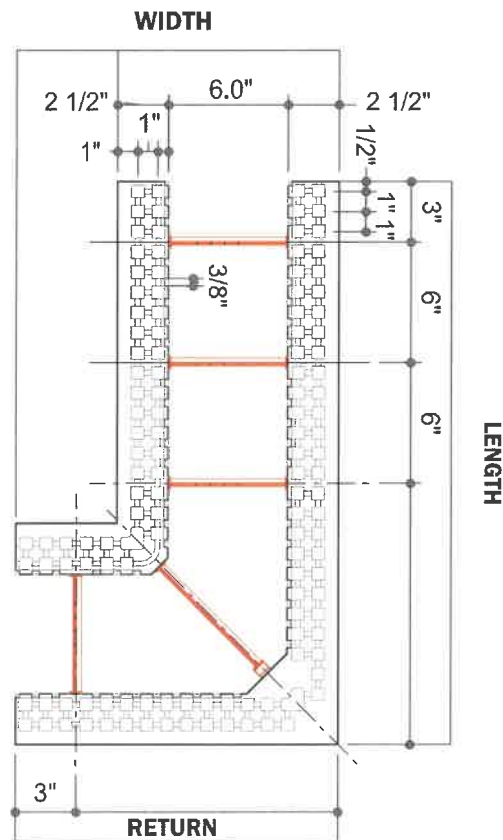
90° Block

Creates strong 90° corners with minimal time required and greater ease, accompanied by an extremely strong corner tie with multiple fastening areas for finishing.



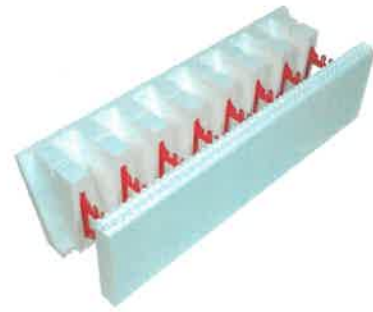
PRODUCT DIMENSIONS

CORE	WIDTH	LENGTH	RETURN	AREA	CONCRETE VOL./SQ. FT. OF WALL
4"	9"	2'1"	1'1"	3'2"	0.009 cubic meters
6"	11"	2'4"	1'4"	3'8"	0.014 cubic meters
6.5"	12"	2'4"	1'4"	3'8"	0.015 cubic meters
8"	13"	2'6"	1'6"	4'	0.019 cubic meters



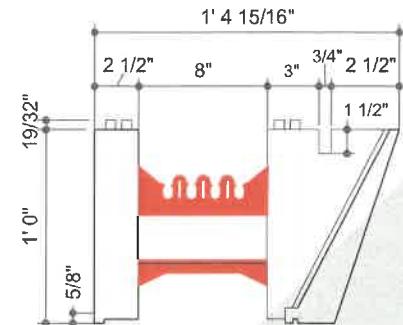
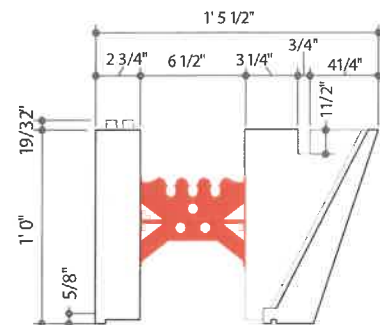
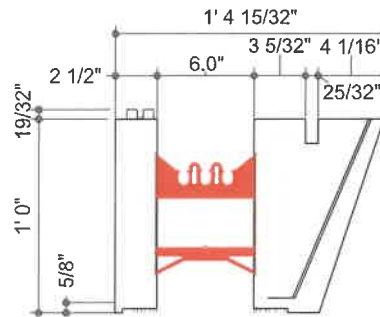
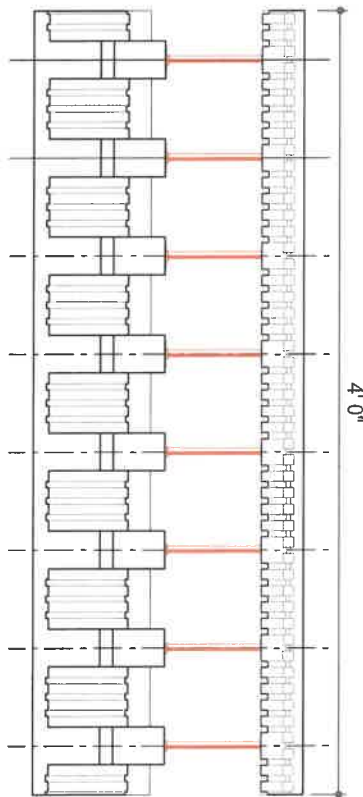
Brickledge Form

Supports the installation of brick veneer on above-grade walls.



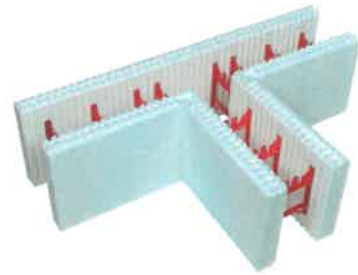
PRODUCT DIMENSIONS

CORE	WIDTH	LENGTH	RETURN	AREA	CONCRETE VOL./SQ. FT. OF WALL
6"	11"	4'	N/A	4'	0.014 cubic meters
6.5"	12"	4'	N/A	4'	0.015 cubic meters
8"	13"	4'	N/A	4'	0.019 cubic meters



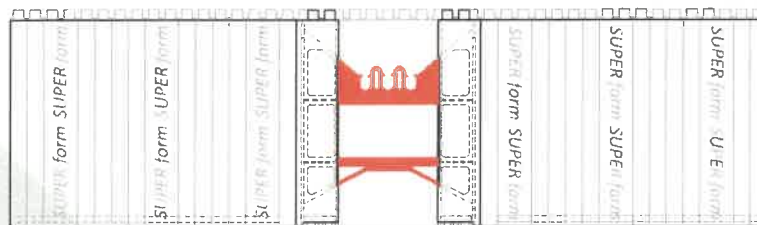
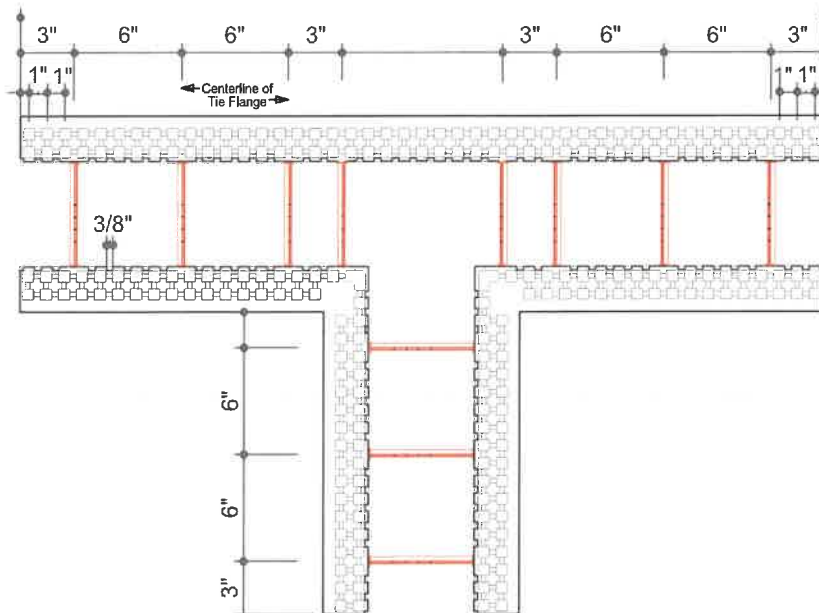
T-Block

Creates a T corner, eliminating the need for additional support or adjustments.



PRODUCT DIMENSIONS

CORE	WIDTH	LENGTH	RETURN	AREA	CONCRETE VOL./SQ. FT. OF WALL
6"	11"	3'9"	1'5"	5'2"	0.014 cubic meters
6.5"	12"	4'	1'4"	5'4"	0.015 cubic meters
8"	13"	3'11"	1'5"	5'4"	0.019 cubic meters



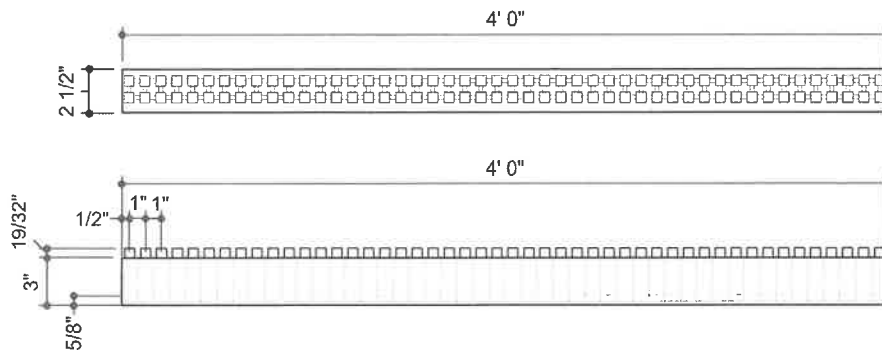
Height Adjuster

Allows contractors to adjust the height of builds in small increments with minimal waste.



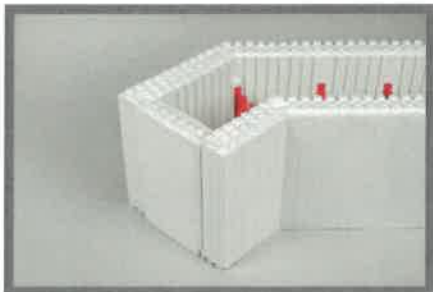
PRODUCT DIMENSIONS

CORE	WIDTH	LENGTH	RETURN	CONCRETE VOL./SQ. FT. OF WALL
6"	2.5"	3"	4'	0.014 cubic meters
6.5"	2.5"	3"	4'	0.015 cubic meters
8"	2.5"	3"	4'	0.019 cubic meters



End Buck

Can quickly slide into place to serve as an insulated buck or to terminate a wall.



CORE	WIDTH
6"	2.5"
6.5"	2.5"
8"	2.5"



A high-grade expanded polystyrene (EPS) rigid foam installation, providing a dependable insulation product that can be used for almost every type of building application. Its stable R-value and compressive strength provide an inexpensive, energy-efficient insulation solution, available in a wide range of thickness.

SuperForm EPS+ is a high-grade expanded polystyrene (EPS) rigid foam insulation. It provides a dependable insulation product that can be used for almost every type of building insulation application. Its stable R-value and high compressive strength coupled with its ability to resist and quickly release moisture makes EPS+ ideal for perimeter, below grade, and floor insulation.

KEY BENEFITS

Stable – R-Value: Provides a stable R-value that does not deteriorate over time.

Compressive Strength: Available in 10, 16, 20, 25, 30, 40, and 60 psi.

Moisture Resistance: Closed cell polystyrene insulation that is proven to resist moisture gain.

Drying Potential: Designed to quickly release moisture and maintain its R-value over time.

Low Environmental Impact: Does not use or contain ozone-depleting blowing agents such as HFCs.

Cost Effective: Up to 40% more cost effective than XPS.

Common Applications: Wall, Ceiling, Perimeter, Below Grade, Floor Insulation, Structural Insulated Panels (SIP), Precast Floor & Wall Panels

Common Sizes: 4x8, 4x4, 2x8, 2x4 – Any thickness.

Standard Bundle Height: 26"





A premium Neopor® graphite polystyrene (GPS) rigid foam insulation. MAX+ features all of the performance attributes of EPS+, complimented by the added benefits of a unique graphite cell structure. SuperForm MAX+ delivers one of the most efficient, cost effective, and sustainable insulation products available. Additionally, MAX+ meets CAN/ ULC S701 and ASTM C578 Standard Specification for Rigid, Cellular Polystyrene Thermal Insulation.

SuperForm MAX+ is a premium Neopor® graphite polystyrene (GPS) rigid foam insulation. MAX+ features all of the performance attributes of EPS+, complimented by the added benefits of its unique graphite cell structure. MAX+ uses high-purity, graphite particles to create a reflective cell structure. This distinct cell structure reflects radiant heat as it travels through the insulation. As a result, MAX+ delivers one of the most efficient perimeter, below grade, and floor insulation products available.

KEY BENEFITS

Stable – R-Value: Provides a stable R-value that does not deteriorate over time.

Compressive Strength: Available in 10, 16, 20, 25, and 30 psi.

Moisture Resistance: Closed cell polystyrene insulation proven to resist moisture gain.

Drying Potential: Designed to quickly release moisture and maintain its R-value.

Low Environmental Impact: Does not use or contain ozone-depleting blowing agents such as HFCs.

Cost Effective: Same nominal R Value as XPS with up to 30% cost savings.

Common Applications: Wall, Ceiling, Perimeter, Below Grade, Floor Insulation, Structural Insulated Panels (SIP), Precast Floor & Wall Panels

Common Sizes: 4x8, 4x4, 2x8, 2x4 – Any thickness.

Standard Bundle Height: 26"



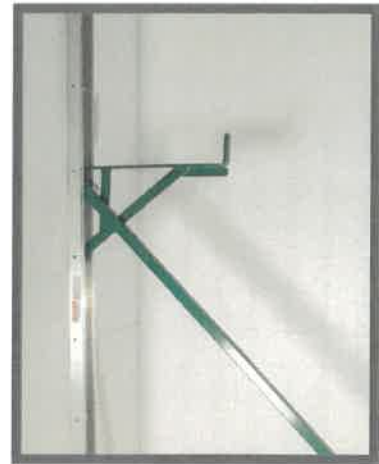
ICF Bracing

Hilltop Bracing

Hilltop Manufacturing is a leader in lightweight ICF bracing. The utilization of aluminum results in a product extremely light in weight yet keeping its strength high. This easy user-friendly system comes with a stackable storage crate for sets of 20, 30, 40, and 50, and includes welded lifting hooks for easy maneuverability on the jobsite. In addition, Hilltop Bracing also comes in custom colours and several length options.

Bracing System			
8'	9'	10'	12'
Transport Crate (20-50 braces per crate)			

Individual parts available
Sold per piece or complete set

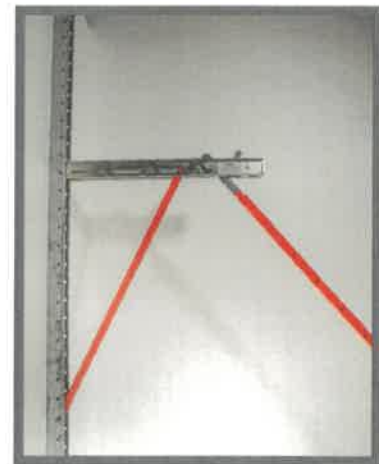


Plum Wall Bracing

Plumbwall Insulated Concrete Form Bracing is a leading innovator in the field of easy-to-use ICF bracing systems. Plumbwall ICF braces are engineered with exclusive one-man alignment control at platform level and are built for insulated concrete forms up to 24 feet high. Setup faster with the Plumbwall's one step measure and adjust ability. Available transportation and stackable storage crates hold 24 Plumbwall ICF braces and comes in a selection of standard or custom colours.

All-in-one brace			
8'	9'	10'	12'
10 ft Transport Crate (24 braces per crate)			
12 ft transport crate (24 braces per crate)			

Individual parts available
Sold per piece or complete set



ICF Bracing

Zont Bracing

Horizontal walers are the first contact with the wall, straightening first in the horizontal direction. Compare this with conventional vertical braces where the first contact is the vertical, leading to horizontal alignment. Zont™ bracing is approximately 10% the cost of vertical bracing, saving you important money when starting. A 'twist' of the wrist quickly locks the horizontal waler and vertical strongback in position, making it fast to install. Zont™ waler brackets and Zuckle™ wall aligners weight 11% the weight of conventional vertical bracing, making it extremely easy to transport Our Height Adaptable makes Bracing simple, weather its short stem walls or 20' tall walls. You can use straight onsite 2x4, saving on lumber you can use later.



Bracing System			
8'	9'	10'	12'
Transport Crate (20-50 braces per crate)			

Individual parts available
Sold per piece or complete set

Waterproofing

Soprema

Soprema is a high-quality, self-adhesive, rubberized peel and stick sheet designed for damp-proofing SuperForm ICF construction. Benefits include high tensile strength and puncture resistance, greater flexibility and consistent thickness, ensuring the high-end waterproofing required to give you peace of mind that your below-grade builds won't leak.

Wall Coverage - 225sq. ft. (This includes overlap)

AVAILABLE IN

WIDTH	LENGTH
3'	75' per roll

Sold per roll or per pallet



Waterproofing

Elastocol Stick H2O

Polymer emulsion-based primer designed to improve the adhesion of self-adhesive waterproofing membranes on most substrates. It is an excellent choice when the use of solvent-based primer is not recommended.

Benefits

- Cold application
- Single component (ready to use)

Sold per bucket



Soprasedal Sealant

High-performance, moisture cure, solvent and isocyanate free polyether sealant (STPE) with low VOC content. With its adhesive properties, Soprasedal Sealant is designed to seal wall details.

Benefits

- Excellent adhesion to most construction materials including SOPRASEAL self-adhesive membranes
- Solvent and isocyanate free
- Very quick curing time

Sold per tube or per box (24 per box)



Waterproofing

Neophrene Roller

Sold individually



5"



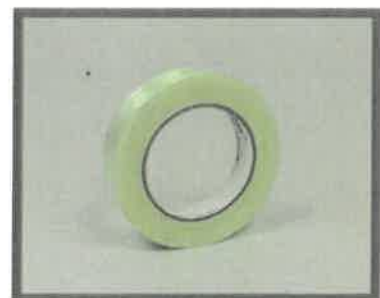
12"

Ties, Screws, Tape

Fiber Tape

Fiber Tape is used to provide additional EPS support for field cut forms that have more than 4" (100mm) of EPS extending past the last web, brick ledge forms in corner conditions, and radius panel.

- 36 rolls per box
- Sold individually or per box



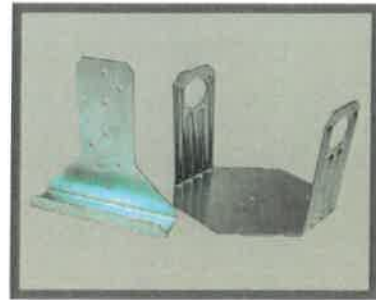
ICF Hangers

Simpson Tie

The ICFVL connector system is engineered to solve the challenges of mounting wood or steel ledgers to ICF walls and ensures vertical and lateral in-plane performance while including better on-center spacing, faster installation, no protrusions, additional stiffness and allowance for concrete to flow through and around the connector.

ICF-CW	1.75"	15 per box
ICF-CW	1.5"	15 per box

Sold per box



ICF Screws

ICF screws by ClearCo Fasteners are the perfect option for attaching to SuperForm. The screw features a loose washer design and each screw is hardened and galvanized. They are course thread which provides maximum attachment to SuperForm's plastic webs.

2"	500 per box
3"	500 per box

Sold per box



2"



3"